

FLANGED VALVES - TE SERIES - Ø ¾" - 1" - 1 ½"



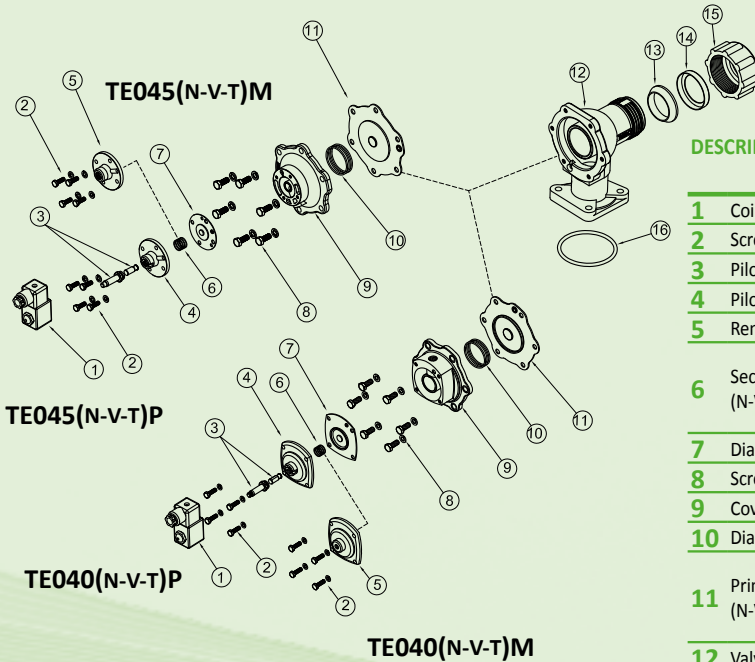
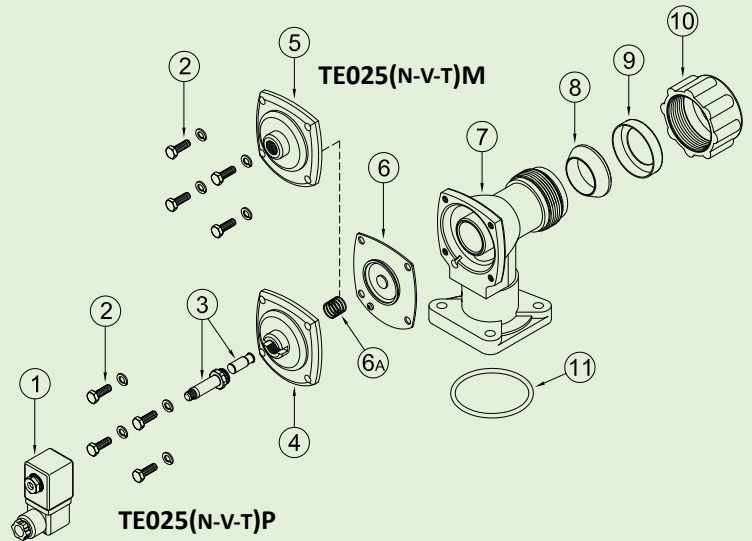
TEP version with built-in pilot
TEM version with remote pilot

FEATURES

Fluids	Non-lubricated filtered air
Operating temperature	Neoprene diaphragm -20°C +80°C
	Viton diaphragm -20°C +200°C
	Low T. diaphragm -40°C; +80°C
Operating pressure	between 0.5 and 7.5 bar
Body and cover	Die-cast aluminium
Pilot core	Stainless steel
Screws and bolts	Stainless steel
Coil insulation	Class H
Connector	PG 9 EN175301-803
Connector + coil protection	IP65 EN60529
Standard voltage	24V/50-60Hz (±10%) 19VA
	115V/50-60Hz (±10%) 19VA
	230V/50-60Hz (±10%) 19VA
	24VDC (± 10%) 18 Watt

DESCRIPTION	TE025(N-V-T)P / TE025(N-V-T)M
1 Coil - Connector	BH10 V## / V##
2 Screws - Washers	TKITVTE06X18X4
3 Pilot unit	1331080
4 Pilot cover	1251752
5 Remote cover	1251776
6a Diaphragm spring	3241002
6 Diaphragm (N-V-T)	TKISM025N Neoprene
	TKISM025V Viton
	TKISM025T Low temperature
7 Valve body	1251280
8 Conical seal	3301013
9 Retaining ring	1321010
10 Hose clamp high nut	1281045
11 O-R gasket	3301271

V## / V## = 24 Vdc -
24 Vac - 115 Vac - 230 Vac



DESCRIPTION	TE040(N-V-T)P TE040(N-V-T)M	TE045(N-V-T)P TE045(N-V-T)M
1 Coil - Connector	BH10 V## / V##	BH10 V## / V##
2 Screws - Washers	TKITVTE06X20X4	TKITVTE06X18X4
3 Pilot unit	1331080	1331080
4 Pilot cover	1251750	1251715
5 Remote cover	1251770	1251745
6 Secondary diaphragm (N-V-T)	TKISM025N Neoprene	TKISM010N Neoprene
	TKISM025V Viton	TKISM010V Viton
	TKISM025T Low temperature	TKISM010T Low temperature
7 Diaphragm spring	3241002	3241006
8 Screws - Washers	TKITVTE08X20X6	TKITVTE08X20X6
9 Cover	1251620	1251640
10 Diaphragm spring	3241024	3241024
11 Primary diaphragm (N-V-T)	TKISM040N Neoprene	TKISM045N Neoprene
	TKISM040V Viton	TKISM045V Viton
	TKISM040T Low temperature	TKISM045T Low temperature
12 Valve body	1251430	1251430
13 Conical seal	3301017	3301017
14 Retaining ring	1321012	1321012
15 Hose clamp high nut	1281050	1281050
16 O-R gasket	3301281	3301281