

# VALVES WITH QUICK CONNECTORS - TD SERIES - Ø ¾" - 1" - 1 ½"



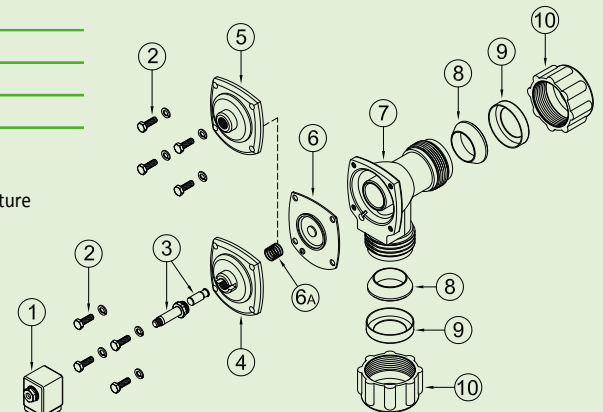
## FEATURES

Fluids	Non-lubricated filtered air
Operating temperature	Neoprene diaphragm -20°C +80°C
	Viton diaphragm -20°C +200°C
	Low T. diaphragm -40°C; +80°C
Operating pressure	between 0.5 and 7.5 bar
Body and cover	Die-cast aluminium
Pilot core	Stainless steel
Screws and bolts	Stainless steel
Coil insulation	Class H
Connector	PG 9 EN175301-803
Connector + coil protection	IP65 EN60529
Standard voltage	24V/50-60Hz (±10%) 19VA
	115V/50-60Hz (±10%) 19VA
	230V/50-60Hz (±10%) 19VA
	24VDC (± 10%) 18 Watt

DESCRIPTION	TD020(N-V-T)P / TD020(N-V-T)M	TD025(N-V-T)P / TD025(N-V-T)M
<b>1</b> Coil - Connector	BH10 V## / V##	BH10 V## / V##
<b>2</b> Screws - Washers	TKITVTE06X18X4	TKITVTE06X18X4
<b>3</b> Pilot unit	1331080	1331080
<b>4</b> Pilot cover	1251750	1251750
<b>5</b> Remote cover	1251770	1251770
<b>6</b> Diaphragm (N-V-T)	TKISM025N Neoprene	TKISM025N Neoprene
	TKISM025V Viton	TKISM025V Viton
	TKISM025T Low temperature	TKISM025T Low temperature
<b>6a</b> Diaphragm spring	3241002	3241002
<b>7</b> Valve body	1251110	1251310
<b>8</b> Conical seal	3301010	3301013
<b>9</b> Retaining ring	1321006	1321010
<b>10</b> Hose clamp high nut	1281040	1281045

TDP version with built-in pilot  
TDM version with remote pilot

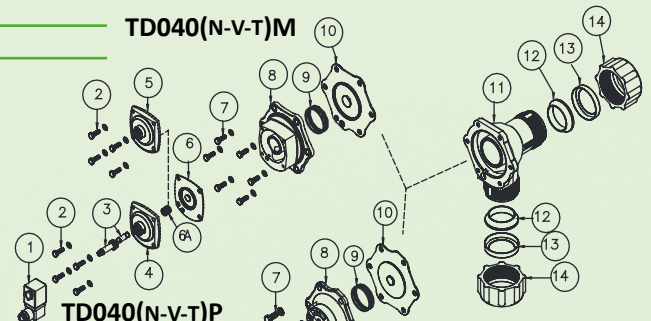
## TD020(N-V-T)M TD025(N-V-T)M



## TD020(N-V-T)P TD025(N-V-T)P

DESCRIPTION	TD040(N-V-T)P / TD040(N-V-T)M	TD045(N-V-T)P / TD045(N-V-T)M
<b>1</b> Coil - Connector	BH10 V## / V##	BH10 V## / V##
<b>2</b> Screws - Washers	TKITVTE06X20X4	TKITVTE06X18X4
<b>3</b> Pilot unit	1331080	1331080
<b>4</b> Pilot cover	1251750	1251715
<b>5</b> Remote cover	1251770	1251745
<b>6</b> Secondary diaphragm (N-V-T)	TKISM025N Neoprene	TKISM010N Neoprene
	TKISM025V Viton	TKISM010V Viton
	TKISM025T Low temperature	TKISM010T Low temperature
<b>6a</b> Diaphragm spring	3241002	3241002
<b>7</b> Screws - Washers	TKITVTE08X20X6	TKITVTE08X20X6
<b>8</b> Cover	1251620	1251640
<b>9</b> Diaphragm spring	3241024	3241024
<b>10</b> Primary Diaphragm (N-V-T)	TKISM040N Neoprene	TKISM045N Neoprene
	TKISM040V Viton	TKISM045V Viton
	TKISM040T Low temperature	TKISM045T Low temperature
<b>11</b> Valve body	1251440	1251440
<b>12</b> Conical seal	3301017	3301017
<b>13</b> Retaining ring	1321012	1321012
<b>14</b> Hose clamp high nut	1281050	1281050

## TD040(N-V-T)M



## TD040(N-V-T)P



## TD045(N-V-T)P

TDP version with built-in pilot  
TDM version with remote pilot

V## / V## = 24 Vdc -  
24 Vac - 115 Vac - 230 Vac