

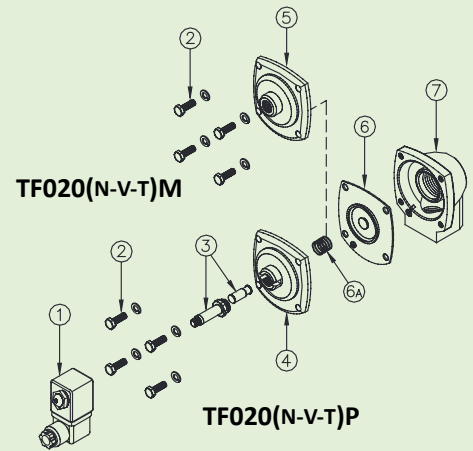
VALVES WITH THREADED CONNECTORS - TF SERIES - Ø 3/4"-1"-1 1/2"-2"-2 1/2"



FEATURES

Fluids	Non-lubricated filtered air
Operating temperature	Neoprene diaphragm -20°C +80°C
	Viton diaphragm -20°C +200°C
	Low T. diaphragm -40°C; +80°C
Operating pressure	between 0.5 and 7.5 bar
Body and cover	Die-cast aluminium
Pilot core	Stainless steel
Screws and bolts	Stainless steel
Coil insulation	Class H
Connector	PG 9 EN175301-803
Connector + coil protection	IP65 EN60529
Standard voltage	24V/50-60Hz (±10%) 19VA
	115V/50-60Hz (±10%) 19VA
	230V/50-60Hz (±10%) 19VA
	24VDC (± 10%) 18 Watt

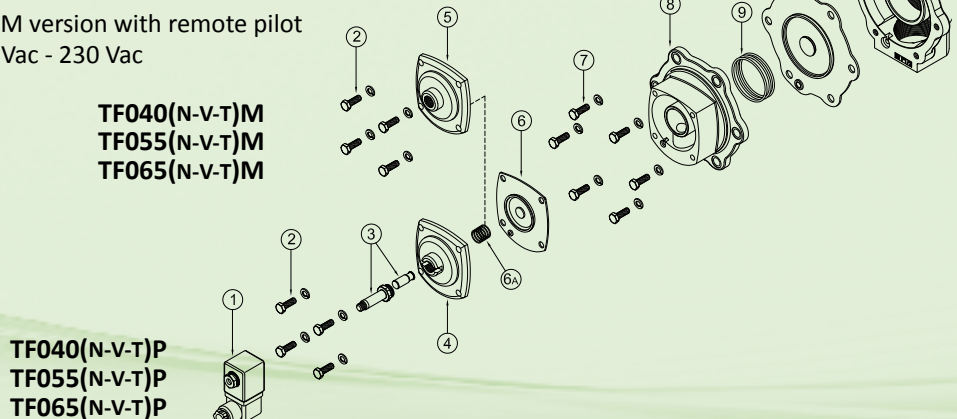
DESCRIPTION	TF020(N-V-T)P / TF020(N-V-T)M	TF025(N-V-T)P / TF025(N-V-T)M
1 Coil - Connector	BH10 V## / V##	BH10 V## / V##
2 Screws - Washers	TKITVTE06X20X4	TKITVTE06X20X4
3 Pilot unit	1331080	1331080
4 Pilot cover	1251750	1251750
5 Remote cover	1251770	1251770
6 Diaphragm (N-V-T)	TKISM025N Neoprene	TKISM025N Neoprene
	TKISM025V Viton	TKISM025V Viton
	TKISM025T Low temperature	TKISM025T Low temperature
6a Diaphragm spring	3241002	3241002
7 Valve body	1251120	1251190



TFP version with built-in pilot / TFM version with remote pilot

DESCRIPTION	TF040(N-V-T)P	TF055(N-V-T)P	TF065(N-V-T)P
	TF040(N-V-T)M	TF055(N-V-T)M	TF065(N-V-T)M
1 Coil + Connector	BH10 V## / V##	BH10 V## / V##	BH10 V## / V##
2 Screws + Washers	TKITVTE06X20X4	TKITVTE06X20X4	TKITVTE06X20X4
3 Pilot unit	1331080	1331080	1331080
4 Pilot cover	1251750	1251750	1251750
5 Remote cover	1251770	1251770	1251770
6 Secondary Diaphragm (N-V-T)	TKISM025N Neoprene	TKISM025N Neoprene	TKISM025N Neoprene
	TKISM025V Viton	TKISM025V Viton	TKISM025V Viton
	TKISM025T Low temperature	TKISM025T Low temperature	TKISM025T Low temperature
6a Diaphragm spring	3241002	3241002	3241002
7 Screws + Washers	TKITVTE08X20X6	TKITVTE10X25X6	TKITVTE10X25X6
8 Cover	1251620	1251660	1251660
9 Diaphragm spring	3241024	3241024	3241024
10 Primary Diaphragm (N-V-T)	TKISM040N Neoprene	TKISM055N Neoprene	TKISM065N Neoprene
	TKISM040V Viton	TKISM055V Viton	TKISM065V Viton
	TKISM040T Low temperature	TKISM055T Low temperature	TKISM065T Low temperature
11 Valve body	1251400	1251470	1251500

TFP version with built-in pilot / TFM version with remote pilot
V## / V## = 24 Vdc - 24 Vac - 115 Vac - 230 Vac



TF040(N-V-T)P
TF055(N-V-T)P
TF065(N-V-T)P