

# E6T CONTROL UNIT ECONOMISER 20÷184 OUTPUT CHANNELS



## DESCRIPTION

Economiser for controlling the pneumatic cleaning of industrial dust collector systems. It has 3 output relay contacts and 2 digital input contacts. Differential pressure digital control through internal transducer, which allows the accurate analysis of the filter clogging status. Luminous LCD display, which allows to read the filter clogging status, the active solenoid valves and any alarms, at all times. Data storage Micro SD memory board.

## OPTIONS UPON REQUEST

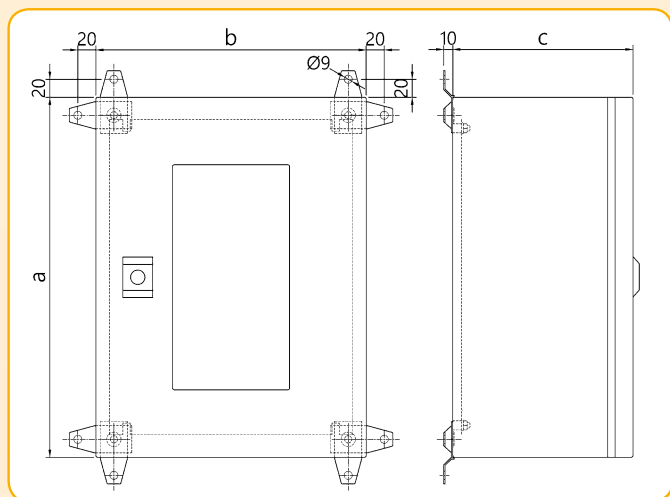
- Activation of 2 solenoid valves or 4 solenoid valves for every output channel.
- Cable glands for power supply input and output of solenoid valves drive cables.
- Connector from wired panel for connection to Matrix cabling.
- Casing container with different format.
- Zone 22 ATEX Certification.

## REFERENCE STANDARDS

- Directive 2014/30/EC Electromagnetic Compatibility meeting European harmonised standards EN61000-6-2:2005 class B in standard EN61000-6-4:2001
- Directive 2014/35/EU Low Voltage meeting European harmonised standards EN 60947-1:2004

## TECHNICAL SPECIFICATIONS

Power supply voltage	115 Vac 50-60 Hz $\pm$ 10 % 230 Vac 50-60 Hz $\pm$ 10 %
Power supply voltage upon request	24 Vac $\pm$ 10 % 24 Vdc $\pm$ 10 %
Output voltage for solenoid valves	115 Vac 50-60 Hz 230 Vac 50-60 Hz 24 Vac 24 Vdc
Inputs	Remote enabling consent switch. Post-cleaning cycles fan switch.
Solenoid valves output channels	20 ÷ 184
Electric consumption	30 Watts at maximum load
Alarm Relays	3 normally closed Maximum load: 3A @ 250Vac, 2A @ 24Vdc, 24 Vac.
differential pressure switch	0 - 4 kPa
Screen	Backlit monochromatic graphic LCD B/N 128 x 64 pixel
5 x 20 mm glass fuse	115 or 230 Vac 1 x 1 A 24 Vac or 24 Vdc 1 x 3 A
Operating temperature	-10 °C - 55 °C
Storage temperature	-20 °C - 60 °C
Environmental humidity	0 ÷ 95% Relative non condensing
Valves opening impulse time	50 m.sec. ÷ 5 sec.
Interval pause time between valves opening	1 sec. ÷ 999 sec.
Casing	Thick steel sheet 15/10, painted RAL7035. Door with glass and locking element.
Protection rating from water and dust	IP65 DIN EN 60529
Shock resistance	IK09 10 Joule (EN62208)



Number of output channels	Dimension of the Structure		
	A	B	C
24 ÷ 56	400 mm	400 mm	200 mm
64 ÷ 120	600 mm	400 mm	200 mm
124 ÷ 184	800 mm	600 mm	250 mm
> 185	Dimension on request		

For additional information and technical specifications, consult [www.turbocontrols.eu](http://www.turbocontrols.eu)